

Designed to isolate vehicle air systems in case of leakage

Protects the integrity of the air supply

Inline mounting

Integral Push-To-Connect (PTC) fittings



Technical data

Operating pressure:

0 to 150 psi

0 to 10 bar

Material:

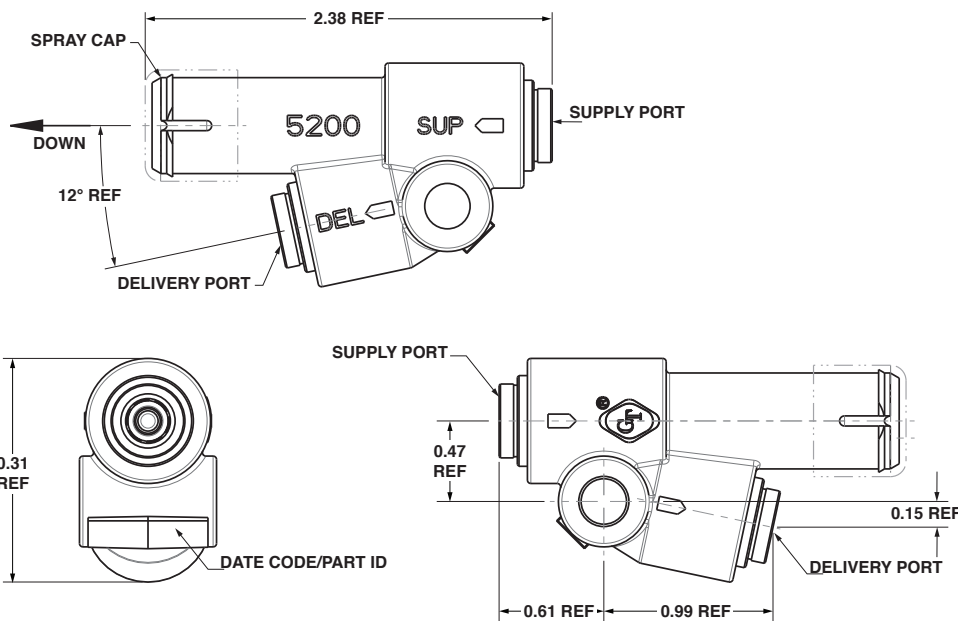
Thermosplastic body with Fluorosilicone seals

Operating temperature:

-40°F to +200°F max.

-40°C to +93°C max.

Dimensions (Inches)



Models

Model	Open Pressure (psi)	Close Pressure (psi)	PTC Connection
5200-75 ●	75	60	1/4" OD tube

- In stock
- ◆ Please call 1.800.710.7823 for availability